

# SN54390, SN54LS390, SN54393, SN54LS393 SN74390, SN74LS390, SN74393, SN74LS393 DUAL 4-BIT DECADE AND BINARY COUNTERS

SDLS107 - OCTOBER 1976 - REVISED MARCH 1988

- Dual Versions of the Popular '90A, 'LS90 and '93A, 'LS93
- '390, 'LS390 . . . Individual Clocks for A and B Flip-Flops Provide Dual  $\div 2$  and  $\div 5$  Counters
- '393, 'LS393 . . . Dual 4-Bit Binary Counter with Individual Clocks
- All Have Direct Clear for Each 4-Bit Counter
- Dual 4-Bit Versions Can Significantly Improve System Densities by Reducing Counter Package Count by 50%
- Typical Maximum Count Frequency . . . 35 MHz
- Buffered Outputs Reduce Possibility of Collector Commutation

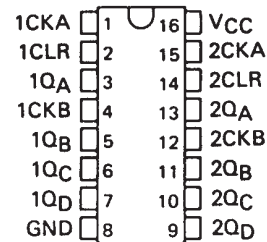
## description

Each of these monolithic circuits contains eight master-slave flip-flops and additional gating to implement two individual four-bit counters in a single package. The '390 and 'LS390 incorporate dual divide-by-two and divide-by-five counters, which can be used to implement cycle lengths equal to any whole and/or cumulative multiples of 2 and/or 5 up to divide-by-100. When connected as a bi-quinary counter, the separate divide-by-two circuit can be used to provide symmetry (a square wave) at the final output stage. The '393 and 'LS393 each comprise two independent four-bit binary counters each having a clear and a clock input. N-bit binary counters can be implemented with each package providing the capability of divide-by-256. The '390, 'LS390, '393, and 'LS393 have parallel outputs from each counter stage so that any submultiple of the input count frequency is available for system-timing signals.

Series 54 and Series 54LS circuits are characterized for operation over the full military temperature range of  $-55^{\circ}\text{C}$  to  $125^{\circ}\text{C}$ ; Series 74 and Series 74LS circuits are characterized for operation from  $0^{\circ}\text{C}$  to  $70^{\circ}\text{C}$ .

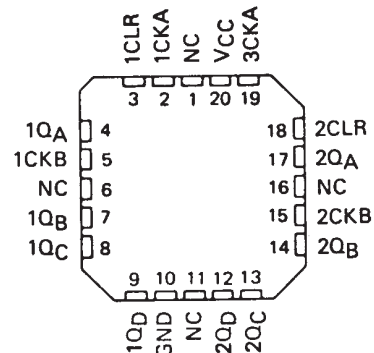
SN54390, SN54LS390 . . . J OR W PACKAGE  
SN74390 . . . N PACKAGE  
SN74LS390 . . . D OR N PACKAGE

(TOP VIEW)



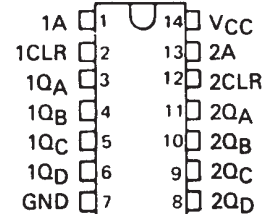
SN54LS390 . . . FK PACKAGE

(TOP VIEW)



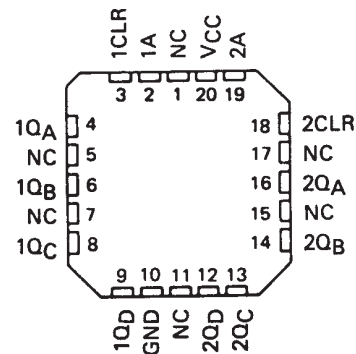
SN54393, SN54LS393 . . . J OR W PACKAGE  
SN74393 . . . N PACKAGE  
SN74LS393 . . . D OR N PACKAGE

(TOP VIEW)



SN54LS393 . . . FK PACKAGE

(TOP VIEW)



NC - No internal connection

PRODUCTION DATA information is current as of publication date. Products conform to specifications per the terms of Texas Instruments standard warranty. Production processing does not necessarily include testing of all parameters.

 **TEXAS  
INSTRUMENTS**

POST OFFICE BOX 655303 • DALLAS, TEXAS 75265

Copyright © 1988, Texas Instruments Incorporated

# SN54390, SN54LS390, SN54393, SN54LS393 SN74390, SN74LS390, SN74393, SN74LS393 DUAL 4-BIT DECADE AND BINARY COUNTERS

SDLS107 - OCTOBER 1976 - REVISED MARCH 1988

**'390, 'LS390  
BCD COUNT SEQUENCE  
(EACH COUNTER)  
(See Note A)**

COUNT	OUTPUT			
	Q <sub>D</sub>	Q <sub>C</sub>	Q <sub>B</sub>	Q <sub>A</sub>
0	L	L	L	L
1	L	L	L	H
2	L	L	H	L
3	L	L	H	H
4	L	H	L	L
5	L	H	L	H
6	L	H	H	L
7	L	H	H	H
8	H	L	L	L
9	H	L	L	H

**FUNCTION TABLES  
'390, 'LS390  
BI-QUINARY (5-2)  
(EACH COUNTER)  
(See Note B)**

COUNT	OUTPUT			
	Q <sub>A</sub>	Q <sub>D</sub>	Q <sub>C</sub>	Q <sub>B</sub>
0	L	L	L	L
1	L	L	L	H
2	L	L	H	L
3	L	L	H	H
4	L	H	L	L
5	H	L	L	L
6	H	L	L	H
7	H	L	H	L
8	H	L	H	H
9	H	H	L	L

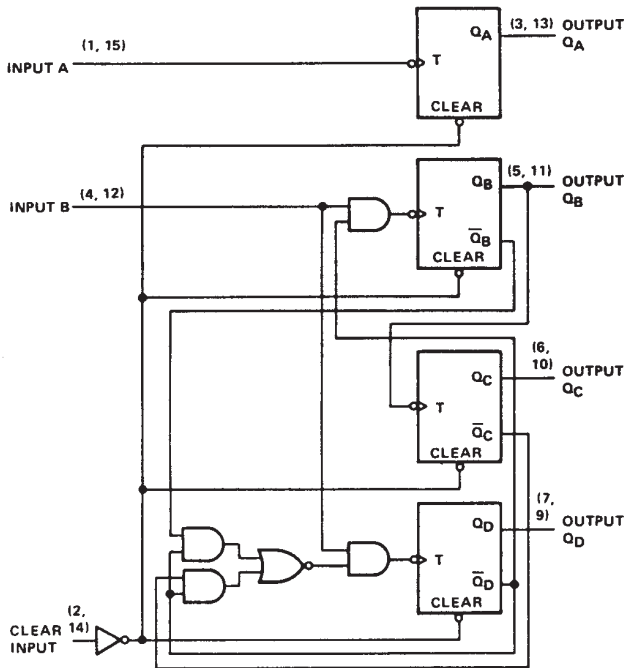
**'393, 'LS393  
COUNT SEQUENCE  
(EACH COUNTER)**

COUNT	OUTPUT			
	Q <sub>D</sub>	Q <sub>C</sub>	Q <sub>B</sub>	Q <sub>A</sub>
0	L	L	L	L
1	L	L	L	H
2	L	L	H	L
3	L	L	H	H
4	L	H	L	L
5	L	H	L	H
6	L	H	H	L
7	L	H	H	H
8	H	L	L	L
9	H	L	L	H
10	H	L	H	L
11	H	L	H	H
12	H	H	L	L
13	H	H	L	H
14	H	H	H	L
15	H	H	H	H

NOTES: A. Output Q<sub>A</sub> is connected to input B for BCD count.  
B. Output Q<sub>D</sub> is connected to input A for bi-quinary count.  
C. H = high level, L = low level.

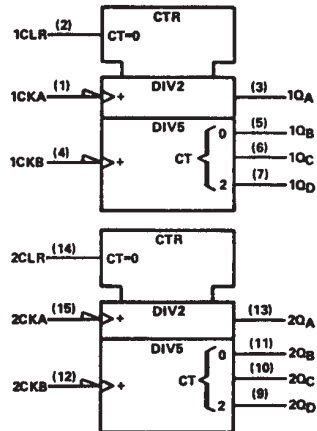
**logic diagrams (positive logic)**

**'390, 'LS390**

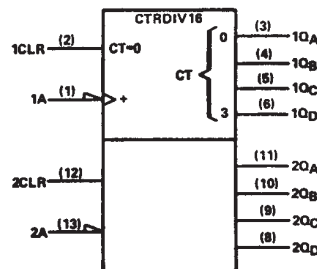


**logic symbols †**

**'390, 'LS390**



**'393, 'LS393**



†These symbols are in accordance with ANSI/IEEE Std. 91-1984 and IEC Publication 617-12.

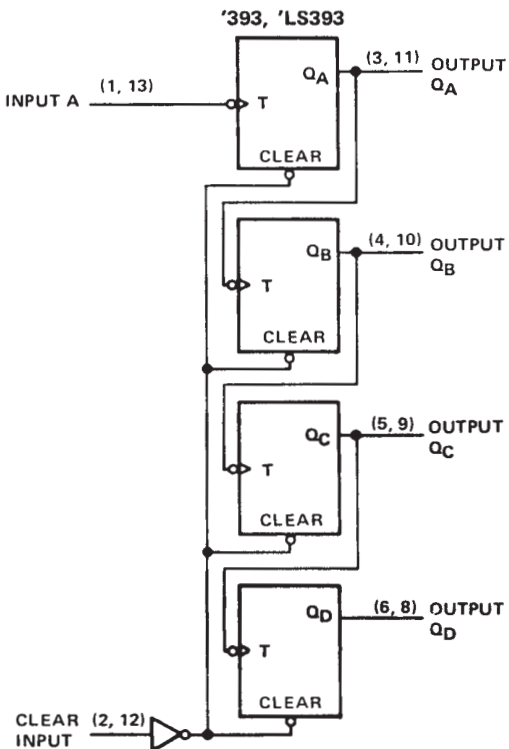
Pin numbers shown are for D, J, N, and W packages.



SN54390, SN54LS390, SN54393, SN54LS393  
 SN74390, SN74LS390, SN74393, SN74LS393  
 DUAL 4-BIT DECADE AND BINARY COUNTERS

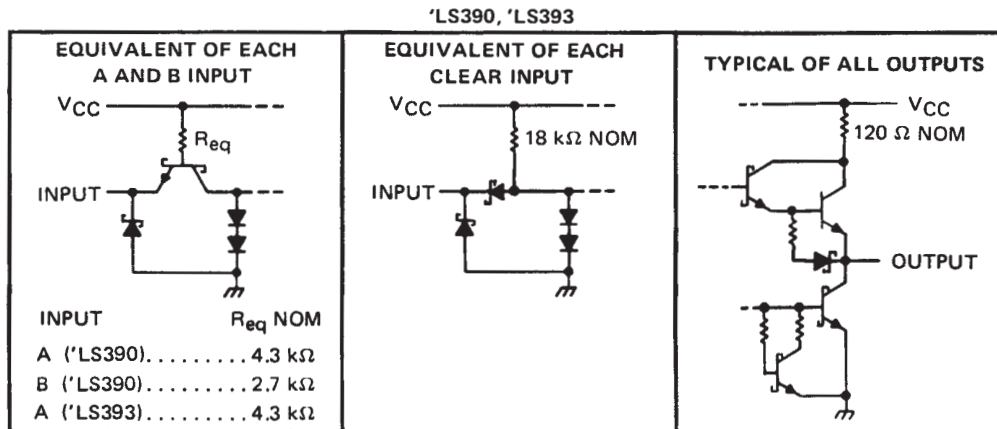
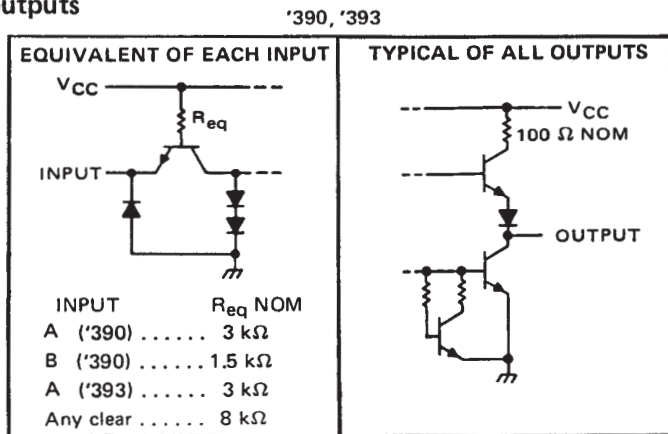
SDLS107 - OCTOBER 1976 - REVISED MARCH 1988

logic diagrams (continued)



Pin numbers shown are for D, J, N and W packages.

schematics of inputs and outputs



# SN54390, SN54LS390, SN54393, SN54LS393 SN74390, SN74LS390, SN74393, SN74LS393 DUAL 4-BIT DECADE AND BINARY COUNTERS

SDLS107 – OCTOBER 1976 – REVISED MARCH 1988

## absolute maximum ratings over operating free-air temperature range (unless otherwise noted)

Supply voltage, $V_{CC}$ (see Note 1)	7 V
Input voltage	5.5 V
Operating free-air temperature range: SN54390, SN54393	-55°C to 125°C
SN74390, SN74393	0°C to 70°C
Storage temperature range	-65°C to 150°C

NOTE 1: Voltage values are with respect to network ground terminal.

## recommended operating conditions

	SN54390 SN54393			SN74390 SN74393			UNIT	
	MIN	NOM	MAX	MIN	NOM	MAX		
Supply voltage, $V_{CC}$	4.5	5	5.5	4.75	5	5.25	V	
High-level output current, $I_{OH}$			-800			-800	$\mu$ A	
Low-level output current, $I_{OL}$			16			16	mA	
Count frequency, $f_{count}$	A input		0	25	0		25	MHz
	B input		0	20	0		20	
Pulse width, $t_w$	A input high or low		20		20		ns	
	B input high or low		25		25			
	Clear high		20		20			
Clear inactive-state setup time, $t_{SU}$	25↓		25↓		25↓		ns	
Operating free-air temperature, $T_A$	-55		125		0		70	°C

↓ The arrow indicates that the falling edge of the clock pulse is used for reference.

## electrical characteristics over recommended operating free-air temperature range (unless otherwise noted)

PARAMETER	TEST CONDITIONS†	'390			'393			UNIT
		MIN	TYP‡	MAX	MIN	TYP‡	MAX	
$V_{IH}$ High-level input voltage		2			2			V
$V_{IL}$ Low-level input voltage		0.8			0.8			V
$V_{IK}$ Input clamp voltage	$V_{CC} = \text{MIN}, I_I = -12 \text{ mA}$	-1.5			-1.5			V
$V_{OH}$ High-level output voltage	$V_{CC} = \text{MIN}, V_{IH} = 2 \text{ V}, V_{IL} = 0.8 \text{ V}, I_{OH} = -800 \mu\text{A}$	2.4	3.4		2.4	3.4		V
$V_{OL}$ Low-level output voltage	$V_{CC} = \text{MIN}, V_{IH} = 2 \text{ V}, V_{IL} = 0.8 \text{ V}, I_{OL} = 16 \text{ mA} \uparrow$		0.2	0.4		0.2	0.4	V
$I_I$ Input current at maximum input voltage	$V_{CC} = \text{MAX}, V_I = 5.5 \text{ V}$	1			1			mA
$I_{IH}$ High-level input current	Clear	40			40			$\mu$ A
	Input A	80			80			
	Input B	120						
$I_{IL}$ Low-level input current	Clear	-1			-1			mA
	Input A	-3.2			-3.2			
	Input B	-4.8						
$I_{OS}$ Short-circuit output current §	$V_{CC} = \text{MAX}$	SN54'	-20	-57	-20	-57	mA	
		SN74'	-18	-57	-18	-57		
$I_{CC}$ Supply current	$V_{CC} = \text{MAX}, \text{ See Note 2}$	42	69		38	64	mA	

† For conditions shown as MIN or MAX, use the appropriate value specified under recommended operating conditions.

‡ All typical values are at  $V_{CC} = 5 \text{ V}, T_A = 25^\circ\text{C}$ .

§ Not more than one output should be shorted at a time.

¶ The  $Q_A$  outputs of the '390 are tested at  $I_{OL} = 16 \text{ mA}$  plus the limit value for  $I_{IL}$  for the B input. This permits driving the B input while maintaining full fan-out capability.

NOTE 2:  $I_{CC}$  is measured with all outputs open, both clear inputs grounded following momentary connection to 4.5 V, and all other inputs grounded.



SN54390, SN54LS390, SN54393, SN54LS393  
 SN74390, SN74LS390, SN74393, SN74LS393  
 DUAL 4-BIT DECADE AND BINARY COUNTERS

SDLS107 – OCTOBER 1976 – REVISED MARCH 1988

switching characteristics,  $V_{CC} = 5\text{ V}$ ,  $T_A = 25^\circ\text{C}$

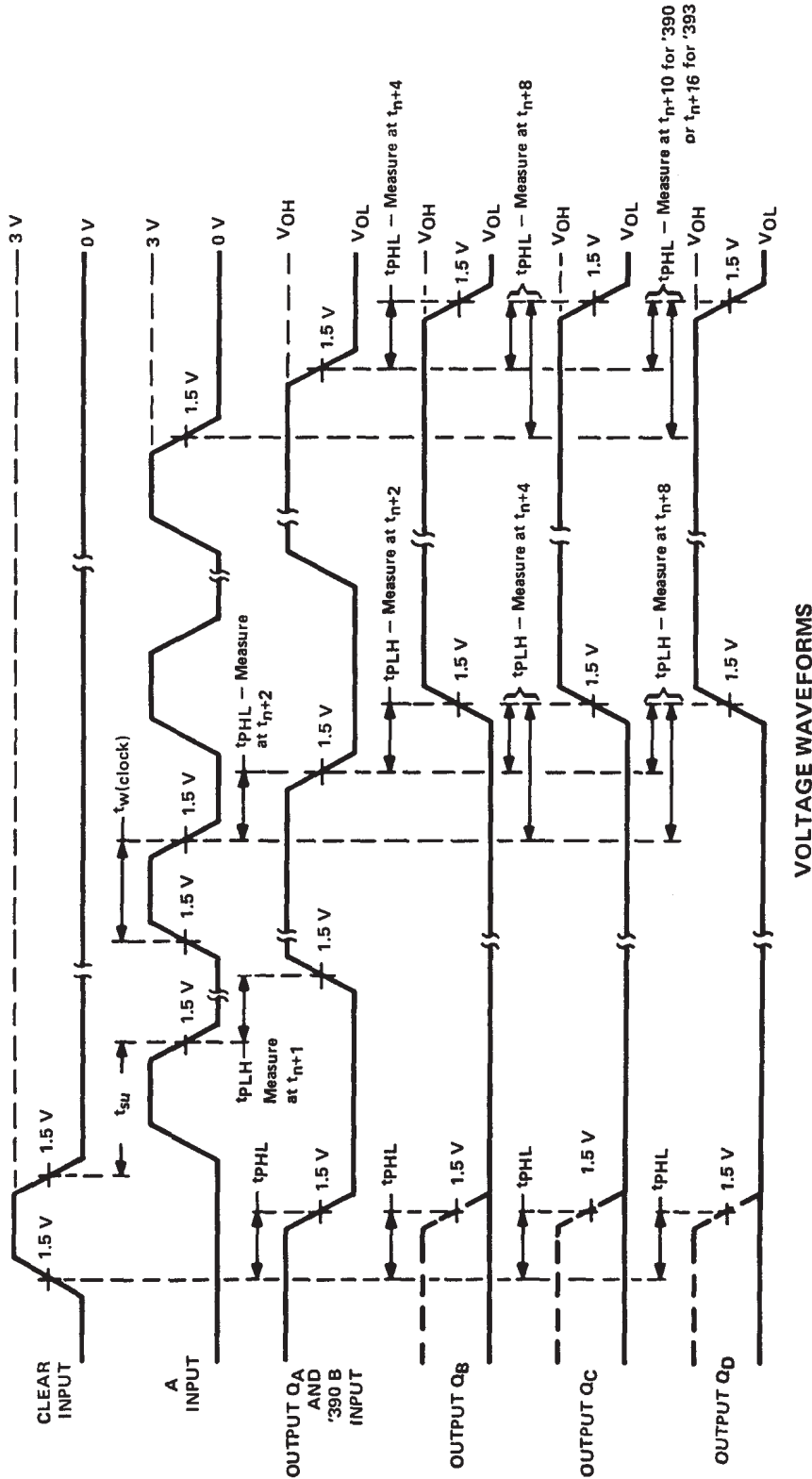
PARAMETER	FROM (INPUT)	TO (OUTPUT)	TEST CONDITIONS	'390			'393			UNIT
				MIN	TYP	MAX	MIN	TYP	MAX	
$f_{\max}$	A	$Q_A$	$C_L = 15\text{ pF}$ , $R_L = 400\ \Omega$ , See Note 3 and Figure 1	25	35		25	35	MHz	
	B	$Q_B$		20	30					
$t_{PLH}$	A	$Q_A$		12	20		12	20	ns	
$t_{PHL}$				13	20		13	20		
$t_{PLH}$	A	$Q_C$ of '390 $Q_D$ of '393		37	60		40	60	ns	
$t_{PHL}$				39	60		40	60		
$t_{PLH}$	B	$Q_B$		13	21				ns	
$t_{PHL}$				14	21					
$t_{PLH}$	B	$Q_C$		24	39				ns	
$t_{PHL}$				26	39					
$t_{PLH}$	B	$Q_D$		13	21				ns	
$t_{PHL}$				14	21					
$t_{PHL}$	Clear	Any		24	39		24	39	ns	

NOTE 3: Load circuits and voltage waveforms are shown in Section 1.

SN54390, SN54LS390, SN54393, SN54LS393  
 SN74390, SN74LS390, SN74393, SN74LS393  
 DUAL 4-BIT DECADE AND BINARY COUNTERS

SDLS107 - OCTOBER 1976 - REVISED MARCH 1988

PARAMETER MEASUREMENT INFORMATION



NOTE A: Input pulses are supplied by a generator having the following characteristics  $t_r \leq 5$  ns,  $t_f \leq 5$  ns, PRR = 1 MHz, duty cycle = 50%,  $Z_{out} \approx 50$  ohms.

FIGURE 1



POST OFFICE BOX 655303 • DALLAS, TEXAS 75265

# SN54390, SN54LS390, SN54393, SN54LS393 SN74390, SN74LS390, SN74393, SN74LS393 DUAL 4-BIT DECADE AND BINARY COUNTERS

SDLS107 – OCTOBER 1976 – REVISED MARCH 1988

## absolute maximum ratings over operating free-air temperature range (unless otherwise noted)

Supply voltage, $V_{CC}$ (see Note 1)	7 V
Clear input voltage	7 V
Any A or B clock input voltage	5.5 V
Operating free-air temperature range: SN54LS390, SN54LS393	-55°C to 125°C
SN74LS390, SN74LS393	0°C to 70°C
Storage temperature range	-65°C to 150°C

NOTE 1: Voltage values are with respect to network ground terminal.

## recommended operating conditions

	SN54LS390 SN54LS393			SN74LS390 SN74LS393			UNIT	
	MIN	NOM	MAX	MIN	NOM	MAX		
Supply voltage, $V_{CC}$	4.5	5	5.5	4.75	5	5.25	V	
High-level output current, $I_{OH}$			-400			-400	$\mu$ A	
Low-level output current, $I_{OL}$			4			8	mA	
Count frequency, $f_{count}$	A input		0	25	0		25	MHz
	B input		0	12.5	0		12.5	
Pulse width, $t_w$	A input high or low		20		20		ns	
	B input high or low		40		40			
	Clear high		20		20			
Clear inactive-state setup time, $t_{SU}$	25 $\downarrow$		25 $\downarrow$				ns	
Operating free-air temperature, $T_A$	-55		125		0		70	°C

$\downarrow$  The arrow indicates that the falling edge of the clock pulse is used for reference.

## electrical characteristics over recommended operating free-air temperature range (unless otherwise noted)

PARAMETER	TEST CONDITIONS <sup>†</sup>	SN54LS'			SN74LS'			UNIT
		MIN	TYP <sup>‡</sup>	MAX	MIN	TYP <sup>‡</sup>	MAX	
$V_{IH}$ High-level input voltage		2			2			V
$V_{IL}$ Low-level input voltage		0.7			0.8			V
$V_{IK}$ Input clamp voltage	$V_{CC} = \text{MIN}, I_I = -18 \text{ mA}$	-1.5			-1.5			V
$V_{OH}$ High-level output voltage	$V_{CC} = \text{MIN}, V_{IH} = 2 \text{ V},$ $V_{IL} = V_{IL \text{ max}}, I_{OH} = -400 \mu\text{A}$	2.5	3.4		2.7	3.4		V
$V_{OL}$ Low-level output voltage	$V_{CC} = \text{MIN}, V_{IH} = 2 \text{ V},$ $V_{IL} = 0.8 \text{ V},$	$I_{OL} = 4 \text{ mA}$ <sup>¶</sup>		0.25	0.4	0.25	0.4	V
		$I_{OL} = 8 \text{ mA}$ <sup>¶</sup>				0.35	0.5	
$I_I$ Input current at maximum input voltage	Clear	$V_{CC} = \text{MAX}$		$V_I = 7 \text{ V}$		0.1	0.1	mA
	Input A			$V_I = 5.5 \text{ V}$		0.2	0.2	
	Input B					0.4	0.4	
$I_{IH}$ High-level input current	Clear	$V_{CC} = \text{MAX}, V_I = 2.7 \text{ V}$				0.02	0.02	mA
	Input A					0.1	0.1	
	Input B					0.2	0.2	
$I_{IL}$ Low-level input current	Clear	$V_{CC} = \text{MAX}, V_I = 0.4 \text{ V}$				-0.4	-0.4	mA
	Input A					-1.6	-1.6	
	Input B					-2.4	-2.4	
$I_{OS}$ Short-circuit output current <sup>§</sup>	$V_{CC} = \text{MAX}$	-20	-100	-20	-100			mA
$I_{CC}$ Supply current	$V_{CC} = \text{MAX},$ See Note 2	'LS390		15	26	15	26	mA
		'LS393		15	26	15	26	

<sup>†</sup> For conditions shown as MIN or MAX, use the appropriate value specified under recommended operating conditions.

<sup>‡</sup> All typical values are at  $V_{CC} = 5 \text{ V}, T_A = 25^\circ\text{C}$ .

<sup>§</sup> Not more than one output should be shorted at a time, and duration of the short-circuit should not exceed one second.

<sup>¶</sup> The  $Q_A$  outputs of the 'LS390 are tested at  $I_{OL} = \text{MAX}$  plus the limit value for  $I_{IL}$  for the clock B input. This permits driving the clock B input while maintaining full fan-out capability.

NOTE 2:  $I_{CC}$  is measured with all outputs open, both clear inputs grounded following momentary connection to 4.5 V, and all other inputs grounded.



**SN54390, SN54LS390, SN54393, SN54LS393**  
**SN74390, SN74LS390, SN74393, SN74LS393**  
**DUAL 4-BIT DECADE AND BINARY COUNTERS**

SDLS107 – OCTOBER 1976 – REVISED MARCH 1988

switching characteristics,  $V_{CC} = 5\text{ V}$ ,  $T_A = 25^\circ\text{C}$

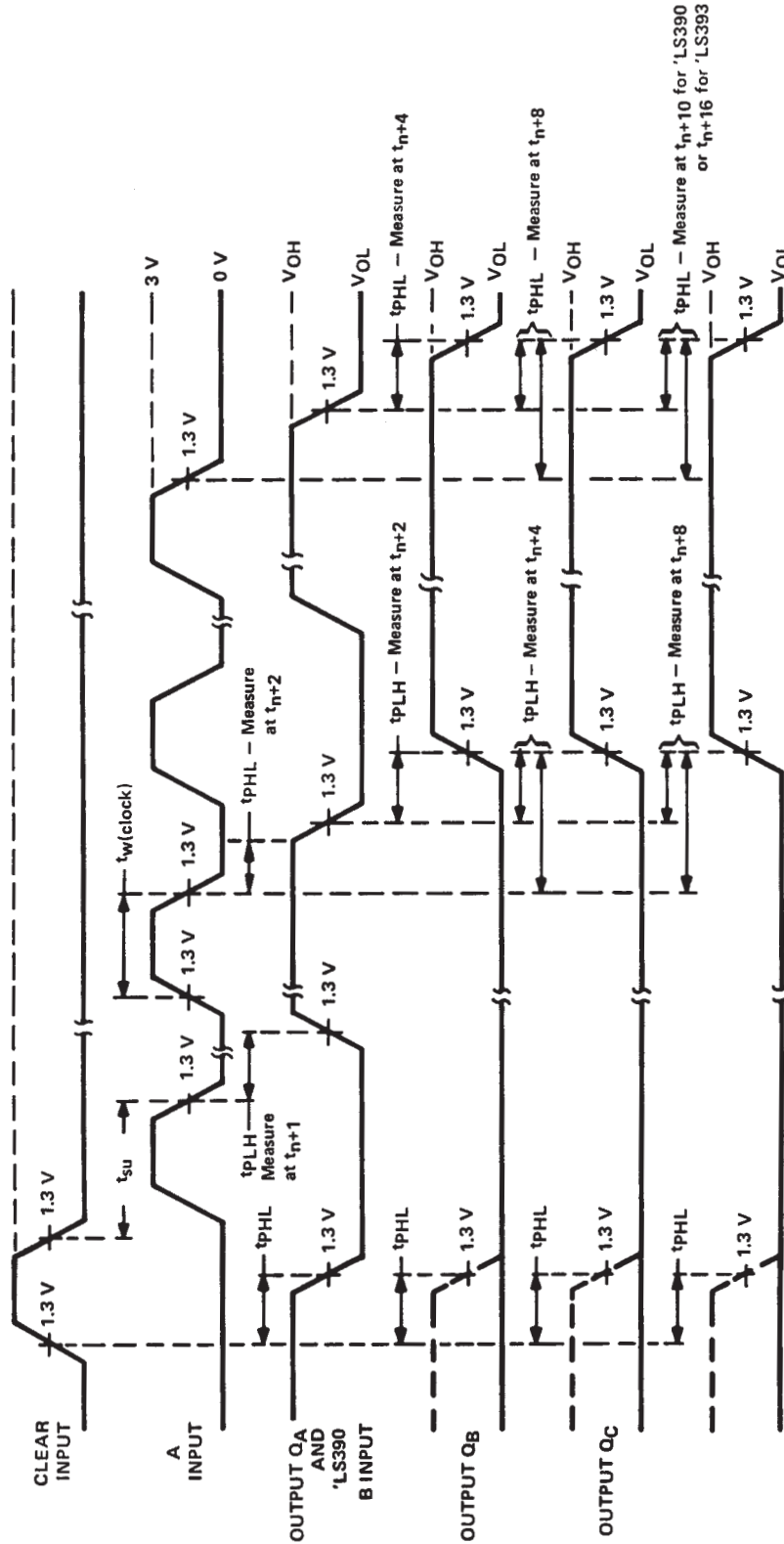
PARAMETER	FROM (INPUT)	TO (OUTPUT)	TEST CONDITIONS	'LS390			'LS393			UNIT
				MIN	TYP	MAX	MIN	TYP	MAX	
$f_{\max}$	A	$Q_A$	$C_L = 15\text{ pF}$ , $R_L = 2\text{ k}\Omega$ , See Note 4 and Figure 2	25	35		25	35		MHz
	B	$Q_B$		12.5	20					
$t_{PLH}$	A	$Q_A$		12	20		12	20		ns
$t_{PHL}$				13	20		13	20		
$t_{PLH}$	A	$Q_C$ of 'LS390 $Q_D$ of 'LS393		37	60		40	60		ns
$t_{PHL}$				39	60		40	60		
$t_{PLH}$	B	$Q_B$		13	21					ns
$t_{PHL}$				14	21					
$t_{PLH}$	B	$Q_C$		24	39					ns
$t_{PHL}$				26	39					
$t_{PLH}$	B	$Q_D$		13	21					ns
$t_{PHL}$				14	21					
$t_{PHL}$	Clear	Any		24	39		24	39		ns

NOTE 4: Load circuits and voltage waveforms are shown in Section 1.





PARAMETER MEASUREMENT INFORMATION



VOLTAGE WAVEFORMS

NOTE A: Input pulses are supplied by a generator having the following characteristics  $t_r \leq 15$  ns,  $t_f \leq 6$  ns, PRR = 1 MHz, duty cycle = 50 %,  $Z_{out} \approx 50$  ohms.

FIGURE 2

**PACKAGING INFORMATION**

Orderable Device	Status <sup>(1)</sup>	Package Type	Package Drawing	Pins	Package Qty	Eco Plan <sup>(2)</sup>	Lead/ Ball Finish	MSL Peak Temp <sup>(3)</sup>	Samples (Requires Login)
7802601EA	ACTIVE	CDIP	J	16	1	TBD	A42	N / A for Pkg Type	<a href="#">Purchase Samples</a>
7802601FA	ACTIVE	CFP	W	16	1	TBD	A42	N / A for Pkg Type	<a href="#">Purchase Samples</a>
7802601FA	ACTIVE	CFP	W	16	1	TBD	A42	N / A for Pkg Type	<a href="#">Purchase Samples</a>
JM38510/32701B2A	ACTIVE	LCCC	FK	20	1	TBD	POST-PLATE	N / A for Pkg Type	<a href="#">Purchase Samples</a>
JM38510/32701B2A	ACTIVE	LCCC	FK	20	1	TBD	POST-PLATE	N / A for Pkg Type	<a href="#">Purchase Samples</a>
JM38510/32701BEA	ACTIVE	CDIP	J	16	1	TBD	A42	N / A for Pkg Type	<a href="#">Purchase Samples</a>
JM38510/32701BEA	ACTIVE	CDIP	J	16	1	TBD	A42	N / A for Pkg Type	<a href="#">Purchase Samples</a>
JM38510/32702B2A	ACTIVE	LCCC	FK	20	1	TBD	POST-PLATE	N / A for Pkg Type	<a href="#">Purchase Samples</a>
JM38510/32702B2A	ACTIVE	LCCC	FK	20	1	TBD	POST-PLATE	N / A for Pkg Type	<a href="#">Purchase Samples</a>
JM38510/32702BCA	ACTIVE	CDIP	J	14	1	TBD	A42	N / A for Pkg Type	<a href="#">Purchase Samples</a>
JM38510/32702BCA	ACTIVE	CDIP	J	14	1	TBD	A42	N / A for Pkg Type	<a href="#">Purchase Samples</a>
JM38510/32702BDA	ACTIVE	CFP	W	14	1	TBD	A42	N / A for Pkg Type	<a href="#">Purchase Samples</a>
JM38510/32702BDA	ACTIVE	CFP	W	14	1	TBD	A42	N / A for Pkg Type	<a href="#">Purchase Samples</a>
JM38510/32702SCA	ACTIVE	CDIP	J	14	1	TBD	A42	N / A for Pkg Type	<a href="#">Purchase Samples</a>
JM38510/32702SCA	ACTIVE	CDIP	J	14	1	TBD	A42	N / A for Pkg Type	<a href="#">Purchase Samples</a>
JM38510/32702SDA	ACTIVE	CFP	W	14	1	TBD	A42	N / A for Pkg Type	<a href="#">Purchase Samples</a>
JM38510/32702SDA	ACTIVE	CFP	W	14	1	TBD	A42	N / A for Pkg Type	<a href="#">Purchase Samples</a>
SN54393J	OBSOLETE	CDIP	J	14		TBD	Call TI	Call TI	Replaced by SN54LS393J
SN54393J	OBSOLETE	CDIP	J	14		TBD	Call TI	Call TI	Replaced by SN54LS393J
SN54LS390J	ACTIVE	CDIP	J	16	1	TBD	A42	N / A for Pkg Type	<a href="#">Purchase Samples</a>
SN54LS390J	ACTIVE	CDIP	J	16	1	TBD	A42	N / A for Pkg Type	<a href="#">Purchase Samples</a>
SN54LS393J	ACTIVE	CDIP	J	14	1	TBD	A42	N / A for Pkg Type	<a href="#">Purchase Samples</a>
SN54LS393J	ACTIVE	CDIP	J	14	1	TBD	A42	N / A for Pkg Type	<a href="#">Purchase Samples</a>
SN74390N	OBSOLETE	PDIP	N	16		TBD	Call TI	Call TI	Samples Not Available
SN74390N	OBSOLETE	PDIP	N	16		TBD	Call TI	Call TI	Samples Not Available
SN74393N	OBSOLETE	PDIP	N	14		TBD	Call TI	Call TI	Samples Not Available
SN74393N	OBSOLETE	PDIP	N	14		TBD	Call TI	Call TI	Samples Not Available
SN74393N3	OBSOLETE	PDIP	N	14		TBD	Call TI	Call TI	Samples Not Available
SN74393N3	OBSOLETE	PDIP	N	14		TBD	Call TI	Call TI	Samples Not Available

Orderable Device	Status <sup>(1)</sup>	Package Type	Package Drawing	Pins	Package Qty	Eco Plan <sup>(2)</sup>	Lead/ Ball Finish	MSL Peak Temp <sup>(3)</sup>	Samples (Requires Login)
SN74LS390D	ACTIVE	SOIC	D	16	40	Green (RoHS & no Sb/Br)	CU NIPDAU	Level-1-260C-UNLIM	<a href="#">Purchase Samples</a>
SN74LS390D	ACTIVE	SOIC	D	16	40	Green (RoHS & no Sb/Br)	CU NIPDAU	Level-1-260C-UNLIM	<a href="#">Purchase Samples</a>
SN74LS390DE4	ACTIVE	SOIC	D	16	40	Green (RoHS & no Sb/Br)	CU NIPDAU	Level-1-260C-UNLIM	<a href="#">Purchase Samples</a>
SN74LS390DE4	ACTIVE	SOIC	D	16	40	Green (RoHS & no Sb/Br)	CU NIPDAU	Level-1-260C-UNLIM	<a href="#">Purchase Samples</a>
SN74LS390DG4	ACTIVE	SOIC	D	16	40	Green (RoHS & no Sb/Br)	CU NIPDAU	Level-1-260C-UNLIM	<a href="#">Purchase Samples</a>
SN74LS390DG4	ACTIVE	SOIC	D	16	40	Green (RoHS & no Sb/Br)	CU NIPDAU	Level-1-260C-UNLIM	<a href="#">Purchase Samples</a>
SN74LS390DR	ACTIVE	SOIC	D	16	2500	Green (RoHS & no Sb/Br)	CU NIPDAU	Level-1-260C-UNLIM	<a href="#">Purchase Samples</a>
SN74LS390DR	ACTIVE	SOIC	D	16	2500	Green (RoHS & no Sb/Br)	CU NIPDAU	Level-1-260C-UNLIM	<a href="#">Purchase Samples</a>
SN74LS390DRE4	ACTIVE	SOIC	D	16	2500	Green (RoHS & no Sb/Br)	CU NIPDAU	Level-1-260C-UNLIM	<a href="#">Purchase Samples</a>
SN74LS390DRE4	ACTIVE	SOIC	D	16	2500	Green (RoHS & no Sb/Br)	CU NIPDAU	Level-1-260C-UNLIM	<a href="#">Purchase Samples</a>
SN74LS390DRG4	ACTIVE	SOIC	D	16	2500	Green (RoHS & no Sb/Br)	CU NIPDAU	Level-1-260C-UNLIM	<a href="#">Purchase Samples</a>
SN74LS390DRG4	ACTIVE	SOIC	D	16	2500	Green (RoHS & no Sb/Br)	CU NIPDAU	Level-1-260C-UNLIM	<a href="#">Purchase Samples</a>
SN74LS390N	ACTIVE	PDIP	N	16	25	Pb-Free (RoHS)	CU NIPDAU	N / A for Pkg Type	<a href="#">Purchase Samples</a>
SN74LS390N	ACTIVE	PDIP	N	16	25	Pb-Free (RoHS)	CU NIPDAU	N / A for Pkg Type	<a href="#">Purchase Samples</a>
SN74LS390N3	OBSOLETE	PDIP	N	16		TBD	Call TI	Call TI	Samples Not Available
SN74LS390N3	OBSOLETE	PDIP	N	16		TBD	Call TI	Call TI	Samples Not Available
SN74LS390NE4	ACTIVE	PDIP	N	16	25	Pb-Free (RoHS)	CU NIPDAU	N / A for Pkg Type	<a href="#">Purchase Samples</a>
SN74LS390NE4	ACTIVE	PDIP	N	16	25	Pb-Free (RoHS)	CU NIPDAU	N / A for Pkg Type	<a href="#">Purchase Samples</a>
SN74LS390NSR	ACTIVE	SO	NS	16	2000	Green (RoHS & no Sb/Br)	CU NIPDAU	Level-1-260C-UNLIM	<a href="#">Purchase Samples</a>
SN74LS390NSR	ACTIVE	SO	NS	16	2000	Green (RoHS & no Sb/Br)	CU NIPDAU	Level-1-260C-UNLIM	<a href="#">Purchase Samples</a>

Orderable Device	Status <sup>(1)</sup>	Package Type	Package Drawing	Pins	Package Qty	Eco Plan <sup>(2)</sup>	Lead/ Ball Finish	MSL Peak Temp <sup>(3)</sup>	Samples (Requires Login)
SN74LS390NSRE4	ACTIVE	SO	NS	16	2000	Green (RoHS & no Sb/Br)	CU NIPDAU	Level-1-260C-UNLIM	<a href="#">Purchase Samples</a>
SN74LS390NSRE4	ACTIVE	SO	NS	16	2000	Green (RoHS & no Sb/Br)	CU NIPDAU	Level-1-260C-UNLIM	<a href="#">Purchase Samples</a>
SN74LS390NSRG4	ACTIVE	SO	NS	16	2000	Green (RoHS & no Sb/Br)	CU NIPDAU	Level-1-260C-UNLIM	<a href="#">Purchase Samples</a>
SN74LS390NSRG4	ACTIVE	SO	NS	16	2000	Green (RoHS & no Sb/Br)	CU NIPDAU	Level-1-260C-UNLIM	<a href="#">Purchase Samples</a>
SN74LS393D	ACTIVE	SOIC	D	14	50	Green (RoHS & no Sb/Br)	CU NIPDAU	Level-1-260C-UNLIM	<a href="#">Purchase Samples</a>
SN74LS393D	ACTIVE	SOIC	D	14	50	Green (RoHS & no Sb/Br)	CU NIPDAU	Level-1-260C-UNLIM	<a href="#">Purchase Samples</a>
SN74LS393DE4	ACTIVE	SOIC	D	14	50	Green (RoHS & no Sb/Br)	CU NIPDAU	Level-1-260C-UNLIM	<a href="#">Purchase Samples</a>
SN74LS393DE4	ACTIVE	SOIC	D	14	50	Green (RoHS & no Sb/Br)	CU NIPDAU	Level-1-260C-UNLIM	<a href="#">Purchase Samples</a>
SN74LS393DG4	ACTIVE	SOIC	D	14	50	Green (RoHS & no Sb/Br)	CU NIPDAU	Level-1-260C-UNLIM	<a href="#">Purchase Samples</a>
SN74LS393DG4	ACTIVE	SOIC	D	14	50	Green (RoHS & no Sb/Br)	CU NIPDAU	Level-1-260C-UNLIM	<a href="#">Purchase Samples</a>
SN74LS393DR	ACTIVE	SOIC	D	14	2500	Green (RoHS & no Sb/Br)	CU NIPDAU	Level-1-260C-UNLIM	<a href="#">Purchase Samples</a>
SN74LS393DR	ACTIVE	SOIC	D	14	2500	Green (RoHS & no Sb/Br)	CU NIPDAU	Level-1-260C-UNLIM	<a href="#">Purchase Samples</a>
SN74LS393DRE4	ACTIVE	SOIC	D	14	2500	Green (RoHS & no Sb/Br)	CU NIPDAU	Level-1-260C-UNLIM	<a href="#">Purchase Samples</a>
SN74LS393DRE4	ACTIVE	SOIC	D	14	2500	Green (RoHS & no Sb/Br)	CU NIPDAU	Level-1-260C-UNLIM	<a href="#">Purchase Samples</a>
SN74LS393DRG4	ACTIVE	SOIC	D	14	2500	Green (RoHS & no Sb/Br)	CU NIPDAU	Level-1-260C-UNLIM	<a href="#">Purchase Samples</a>
SN74LS393DRG4	ACTIVE	SOIC	D	14	2500	Green (RoHS & no Sb/Br)	CU NIPDAU	Level-1-260C-UNLIM	<a href="#">Purchase Samples</a>
SN74LS393J	OBSOLETE	CDIP	J	14		TBD	Call TI	Call TI	Samples Not Available
SN74LS393J	OBSOLETE	CDIP	J	14		TBD	Call TI	Call TI	Samples Not Available
SN74LS393N	ACTIVE	PDIP	N	14	25	Pb-Free (RoHS)	CU NIPDAU	N / A for Pkg Type	Contact TI Distributor or Sales Office

Orderable Device	Status <sup>(1)</sup>	Package Type	Package Drawing	Pins	Package Qty	Eco Plan <sup>(2)</sup>	Lead/ Ball Finish	MSL Peak Temp <sup>(3)</sup>	Samples (Requires Login)
SN74LS393N	ACTIVE	PDIP	N	14	25	Pb-Free (RoHS)	CU NIPDAU	N / A for Pkg Type	Contact TI Distributor or Sales Office
SN74LS393N3	OBSOLETE	PDIP	N	14		TBD	Call TI	Call TI	Samples Not Available
SN74LS393N3	OBSOLETE	PDIP	N	14		TBD	Call TI	Call TI	Samples Not Available
SN74LS393NE4	ACTIVE	PDIP	N	14	25	Pb-Free (RoHS)	CU NIPDAU	N / A for Pkg Type	<a href="#">Purchase Samples</a>
SN74LS393NE4	ACTIVE	PDIP	N	14	25	Pb-Free (RoHS)	CU NIPDAU	N / A for Pkg Type	<a href="#">Purchase Samples</a>
SN74LS393NSR	ACTIVE	SO	NS	14	2000	Green (RoHS & no Sb/Br)	CU NIPDAU	Level-1-260C-UNLIM	<a href="#">Purchase Samples</a>
SN74LS393NSR	ACTIVE	SO	NS	14	2000	Green (RoHS & no Sb/Br)	CU NIPDAU	Level-1-260C-UNLIM	<a href="#">Purchase Samples</a>
SN74LS393NSRE4	ACTIVE	SO	NS	14	2000	Green (RoHS & no Sb/Br)	CU NIPDAU	Level-1-260C-UNLIM	<a href="#">Purchase Samples</a>
SN74LS393NSRE4	ACTIVE	SO	NS	14	2000	Green (RoHS & no Sb/Br)	CU NIPDAU	Level-1-260C-UNLIM	<a href="#">Purchase Samples</a>
SN74LS393NSRG4	ACTIVE	SO	NS	14	2000	Green (RoHS & no Sb/Br)	CU NIPDAU	Level-1-260C-UNLIM	<a href="#">Purchase Samples</a>
SN74LS393NSRG4	ACTIVE	SO	NS	14	2000	Green (RoHS & no Sb/Br)	CU NIPDAU	Level-1-260C-UNLIM	<a href="#">Purchase Samples</a>
SNJ54393J	OBSOLETE	CDIP	J	14		TBD	Call TI	Call TI	Replaced by SNJ54LS393J
SNJ54393J	OBSOLETE	CDIP	J	14		TBD	Call TI	Call TI	Replaced by SNJ54LS393J
SNJ54393W	OBSOLETE	CFP	W	14		TBD	Call TI	Call TI	Replaced by SNJ54LS393W
SNJ54393W	OBSOLETE	CFP	W	14		TBD	Call TI	Call TI	Replaced by SNJ54LS393W
SNJ54LS390FK	ACTIVE	LCCC	FK	20	1	TBD	POST-PLATE	N / A for Pkg Type	<a href="#">Purchase Samples</a>
SNJ54LS390FK	ACTIVE	LCCC	FK	20	1	TBD	POST-PLATE	N / A for Pkg Type	<a href="#">Purchase Samples</a>
SNJ54LS390J	ACTIVE	CDIP	J	16	1	TBD	A42	N / A for Pkg Type	<a href="#">Purchase Samples</a>
SNJ54LS390J	ACTIVE	CDIP	J	16	1	TBD	A42	N / A for Pkg Type	<a href="#">Purchase Samples</a>
SNJ54LS390W	ACTIVE	CFP	W	16	1	TBD	A42	N / A for Pkg Type	<a href="#">Purchase Samples</a>
SNJ54LS390W	ACTIVE	CFP	W	16	1	TBD	A42	N / A for Pkg Type	<a href="#">Purchase Samples</a>
SNJ54LS393FK	ACTIVE	LCCC	FK	20	1	TBD	POST-PLATE	N / A for Pkg Type	<a href="#">Purchase Samples</a>
SNJ54LS393FK	ACTIVE	LCCC	FK	20	1	TBD	POST-PLATE	N / A for Pkg Type	<a href="#">Purchase Samples</a>
SNJ54LS393J	ACTIVE	CDIP	J	14	1	TBD	A42	N / A for Pkg Type	<a href="#">Purchase Samples</a>
SNJ54LS393J	ACTIVE	CDIP	J	14	1	TBD	A42	N / A for Pkg Type	<a href="#">Purchase Samples</a>
SNJ54LS393W	ACTIVE	CFP	W	14	1	TBD	A42	N / A for Pkg Type	<a href="#">Purchase Samples</a>

Orderable Device	Status <sup>(1)</sup>	Package Type	Package Drawing	Pins	Package Qty	Eco Plan <sup>(2)</sup>	Lead/Ball Finish	MSL Peak Temp <sup>(3)</sup>	Samples (Requires Login)
SNJ54LS393W	ACTIVE	CFP	W	14	1	TBD	A42	N / A for Pkg Type	<a href="#">Purchase Samples</a>

<sup>(1)</sup> The marketing status values are defined as follows:

**ACTIVE:** Product device recommended for new designs.

**LIFEBUY:** TI has announced that the device will be discontinued, and a lifetime-buy period is in effect.

**NRND:** Not recommended for new designs. Device is in production to support existing customers, but TI does not recommend using this part in a new design.

**PREVIEW:** Device has been announced but is not in production. Samples may or may not be available.

**OBSELETE:** TI has discontinued the production of the device.

<sup>(2)</sup> Eco Plan - The planned eco-friendly classification: Pb-Free (RoHS), Pb-Free (RoHS Exempt), or Green (RoHS & no Sb/Br) - please check <http://www.ti.com/productcontent> for the latest availability information and additional product content details.

**TBD:** The Pb-Free/Green conversion plan has not been defined.

**Pb-Free (RoHS):** TI's terms "Lead-Free" or "Pb-Free" mean semiconductor products that are compatible with the current RoHS requirements for all 6 substances, including the requirement that lead not exceed 0.1% by weight in homogeneous materials. Where designed to be soldered at high temperatures, TI Pb-Free products are suitable for use in specified lead-free processes.

**Pb-Free (RoHS Exempt):** This component has a RoHS exemption for either 1) lead-based flip-chip solder bumps used between the die and package, or 2) lead-based die adhesive used between the die and leadframe. The component is otherwise considered Pb-Free (RoHS compatible) as defined above.

**Green (RoHS & no Sb/Br):** TI defines "Green" to mean Pb-Free (RoHS compatible), and free of Bromine (Br) and Antimony (Sb) based flame retardants (Br or Sb do not exceed 0.1% by weight in homogeneous material)

<sup>(3)</sup> MSL, Peak Temp. -- The Moisture Sensitivity Level rating according to the JEDEC industry standard classifications, and peak solder temperature.

**Important Information and Disclaimer:** The information provided on this page represents TI's knowledge and belief as of the date that it is provided. TI bases its knowledge and belief on information provided by third parties, and makes no representation or warranty as to the accuracy of such information. Efforts are underway to better integrate information from third parties. TI has taken and continues to take reasonable steps to provide representative and accurate information but may not have conducted destructive testing or chemical analysis on incoming materials and chemicals. TI and TI suppliers consider certain information to be proprietary, and thus CAS numbers and other limited information may not be available for release.

In no event shall TI's liability arising out of such information exceed the total purchase price of the TI part(s) at issue in this document sold by TI to Customer on an annual basis.

**OTHER QUALIFIED VERSIONS OF SN54393, SN54LS390, SN54LS393, SN54LS393-SP, SN74393, SN74LS390, SN74LS393 :**

● Catalog: [SN74393](#), [SN74LS390](#), [SN74LS393](#), [SN54LS393](#)

● Military: [SN54393](#), [SN54LS390](#), [SN54LS393](#)

● Space: [SN54LS393-SP](#)

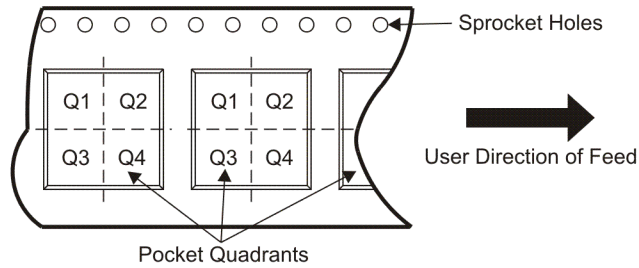
NOTE: Qualified Version Definitions:

- Catalog - TI's standard catalog product
- Military - QML certified for Military and Defense Applications
- Space - Radiation tolerant, ceramic packaging and qualified for use in Space-based application

**TAPE AND REEL INFORMATION**



**QUADRANT ASSIGNMENTS FOR PIN 1 ORIENTATION IN TAPE**

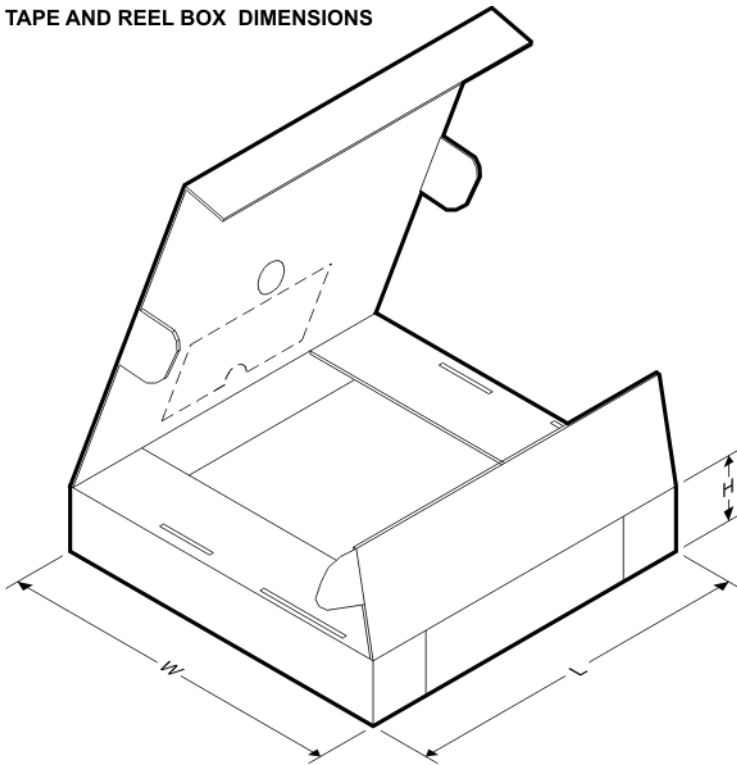


\*All dimensions are nominal

Device	Package Type	Package Drawing	Pins	SPQ	Reel Diameter (mm)	Reel Width W1 (mm)	A0 (mm)	B0 (mm)	K0 (mm)	P1 (mm)	W (mm)	Pin1 Quadrant
SN74LS390DR	SOIC	D	16	2500	330.0	16.4	6.5	10.3	2.1	8.0	16.0	Q1
SN74LS390NSR	SO	NS	16	2000	330.0	16.4	8.2	10.5	2.5	12.0	16.0	Q1
SN74LS393DR	SOIC	D	14	2500	330.0	16.4	6.5	9.0	2.1	8.0	16.0	Q1
SN74LS393NSR	SO	NS	14	2000	330.0	16.4	8.2	10.5	2.5	12.0	16.0	Q1



**TAPE AND REEL BOX DIMENSIONS**



\*All dimensions are nominal

Device	Package Type	Package Drawing	Pins	SPQ	Length (mm)	Width (mm)	Height (mm)
SN74LS390DR	SOIC	D	16	2500	333.2	345.9	28.6
SN74LS390NSR	SO	NS	16	2000	346.0	346.0	33.0
SN74LS393DR	SOIC	D	14	2500	346.0	346.0	33.0
SN74LS393NSR	SO	NS	14	2000	346.0	346.0	33.0

J (R-GDIP-T\*\*)

14 LEADS SHOWN

CERAMIC DUAL IN-LINE PACKAGE



DIM \ PINS **	14	16	18	20
A	0.300 (7,62) BSC	0.300 (7,62) BSC	0.300 (7,62) BSC	0.300 (7,62) BSC
B MAX	0.785 (19,94)	.840 (21,34)	0.960 (24,38)	1.060 (26,92)
B MIN	—	—	—	—
C MAX	0.300 (7,62)	0.300 (7,62)	0.310 (7,87)	0.300 (7,62)
C MIN	0.245 (6,22)	0.245 (6,22)	0.220 (5,59)	0.245 (6,22)



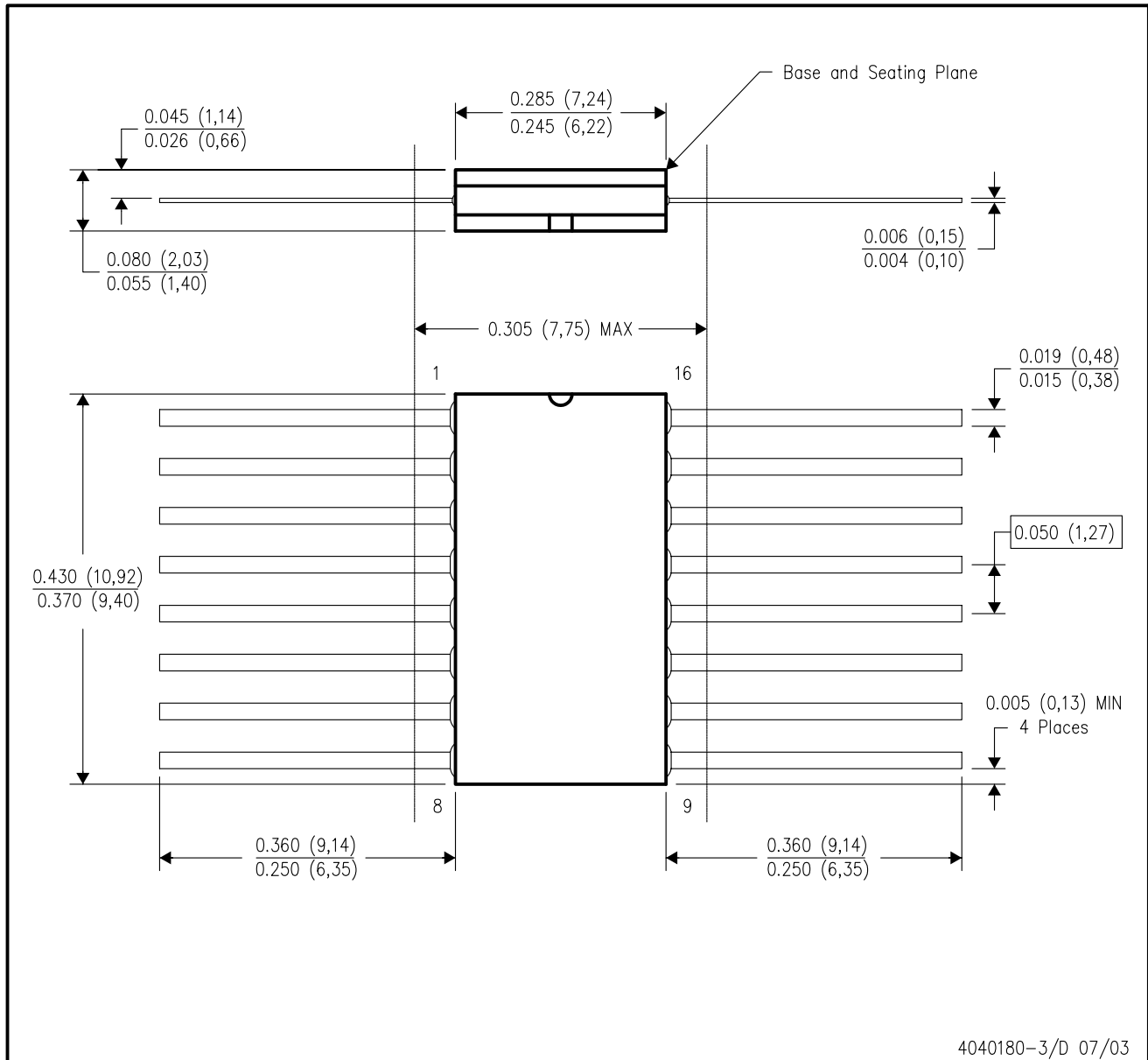
4040083/F 03/03

- NOTES:
- All linear dimensions are in inches (millimeters).
  - This drawing is subject to change without notice.
  - This package is hermetically sealed with a ceramic lid using glass frit.
  - Index point is provided on cap for terminal identification only on press ceramic glass frit seal only.
  - Falls within MIL STD 1835 GDIP1-T14, GDIP1-T16, GDIP1-T18 and GDIP1-T20.



W (R-GDFP-F16)

CERAMIC DUAL FLATPACK

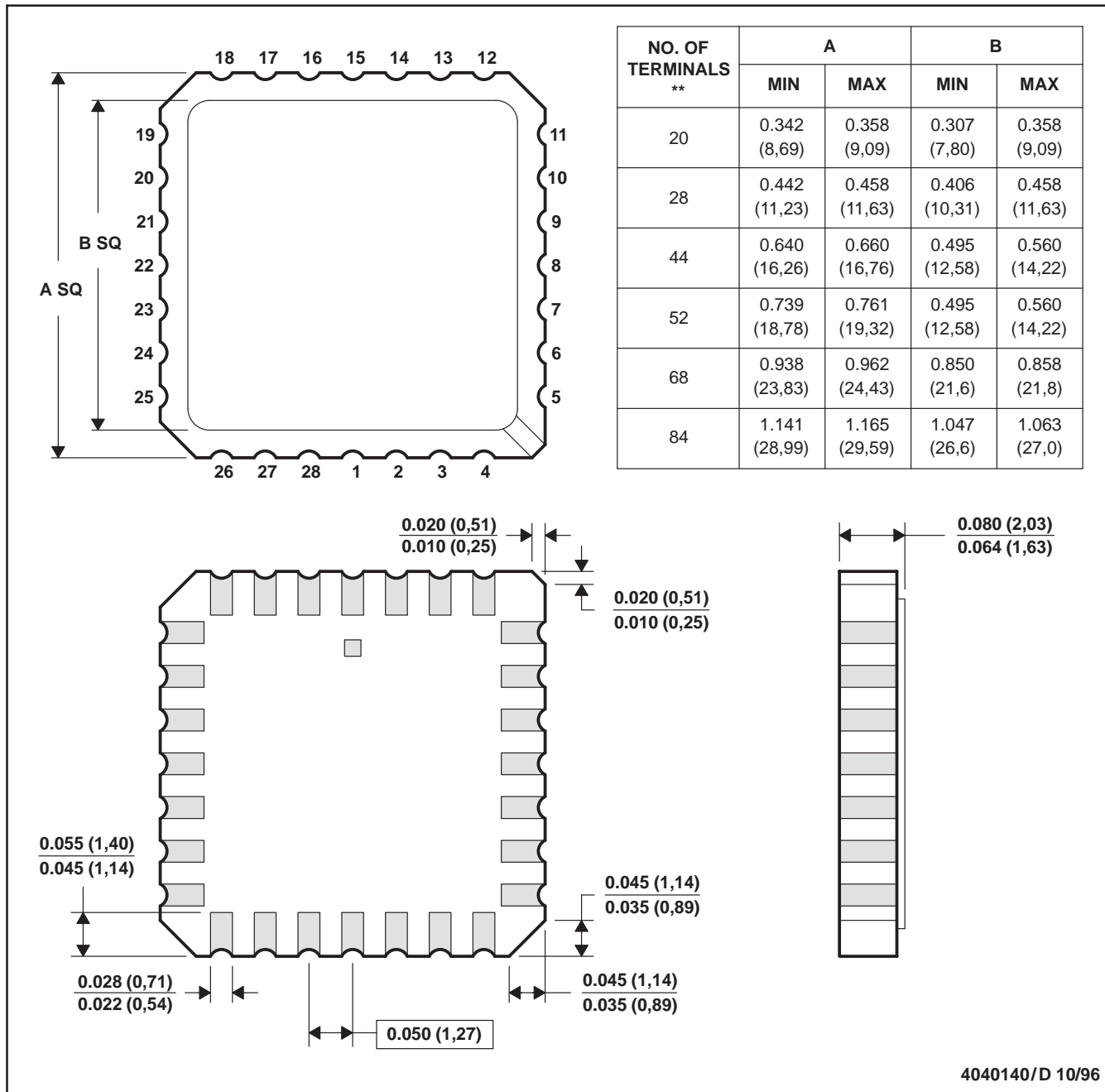


- NOTES:
- A. All linear dimensions are in inches (millimeters).
  - B. This drawing is subject to change without notice.
  - C. This package can be hermetically sealed with a ceramic lid using glass frit.
  - D. Index point is provided on cap for terminal identification only.
  - E. Falls within MIL STD 1835 GDFP1-F16 and JEDEC MO-092AC

FK (S-CQCC-N\*\*)

LEADLESS CERAMIC CHIP CARRIER

28 TERMINAL SHOWN



4040140/D 10/96

- NOTES:
- A. All linear dimensions are in inches (millimeters).
  - B. This drawing is subject to change without notice.
  - C. This package can be hermetically sealed with a metal lid.
  - D. The terminals are gold plated.
  - E. Falls within JEDEC MS-004

N (R-PDIP-T\*\*)

PLASTIC DUAL-IN-LINE PACKAGE

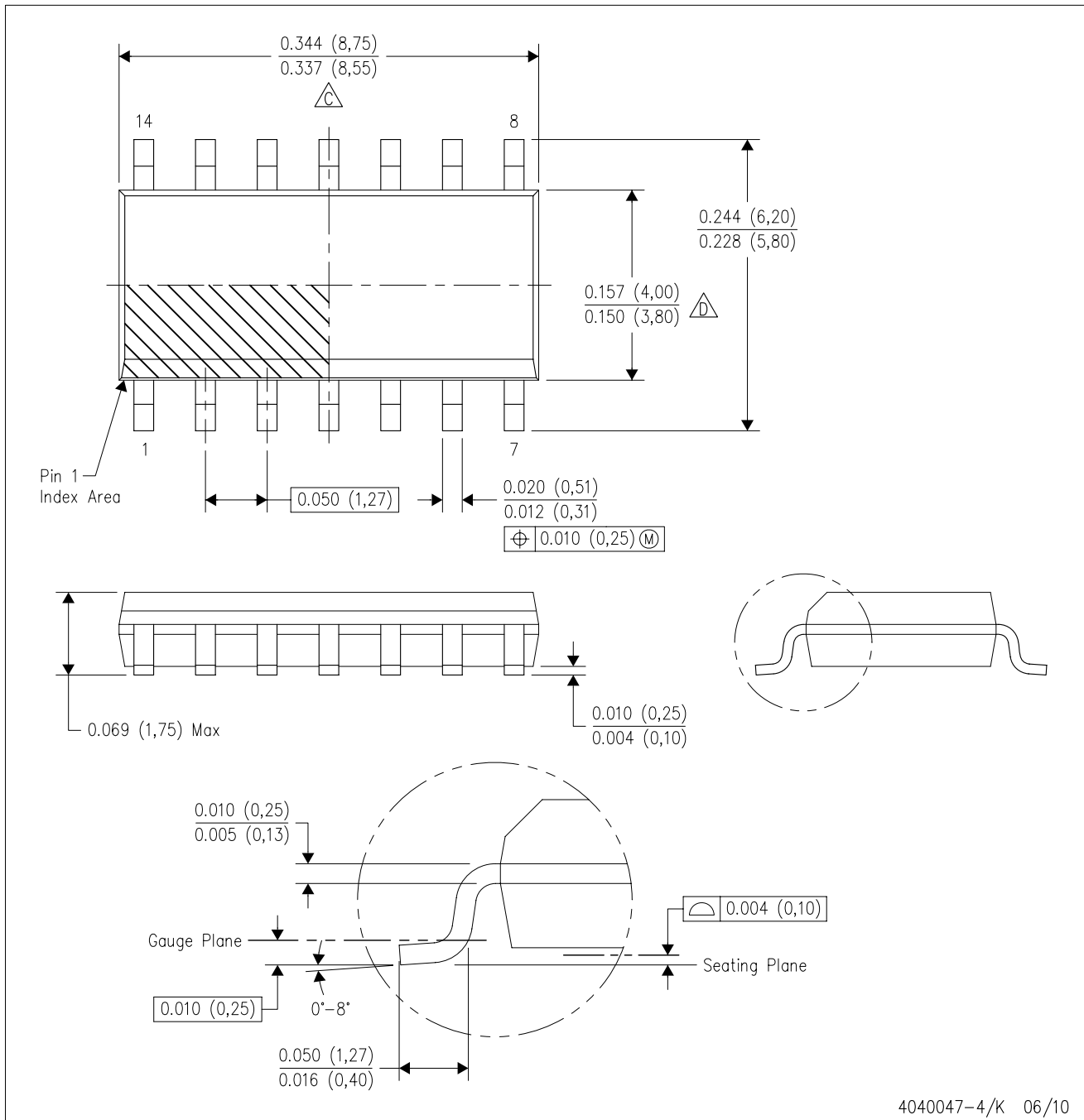
16 PINS SHOWN



- NOTES:
- A. All linear dimensions are in inches (millimeters).
  - B. This drawing is subject to change without notice.
  - Falls within JEDEC MS-001, except 18 and 20 pin minimum body length (Dim A).
  - The 20 pin end lead shoulder width is a vendor option, either half or full width.

D (R-PDSO-G14)

PLASTIC SMALL-OUTLINE PACKAGE

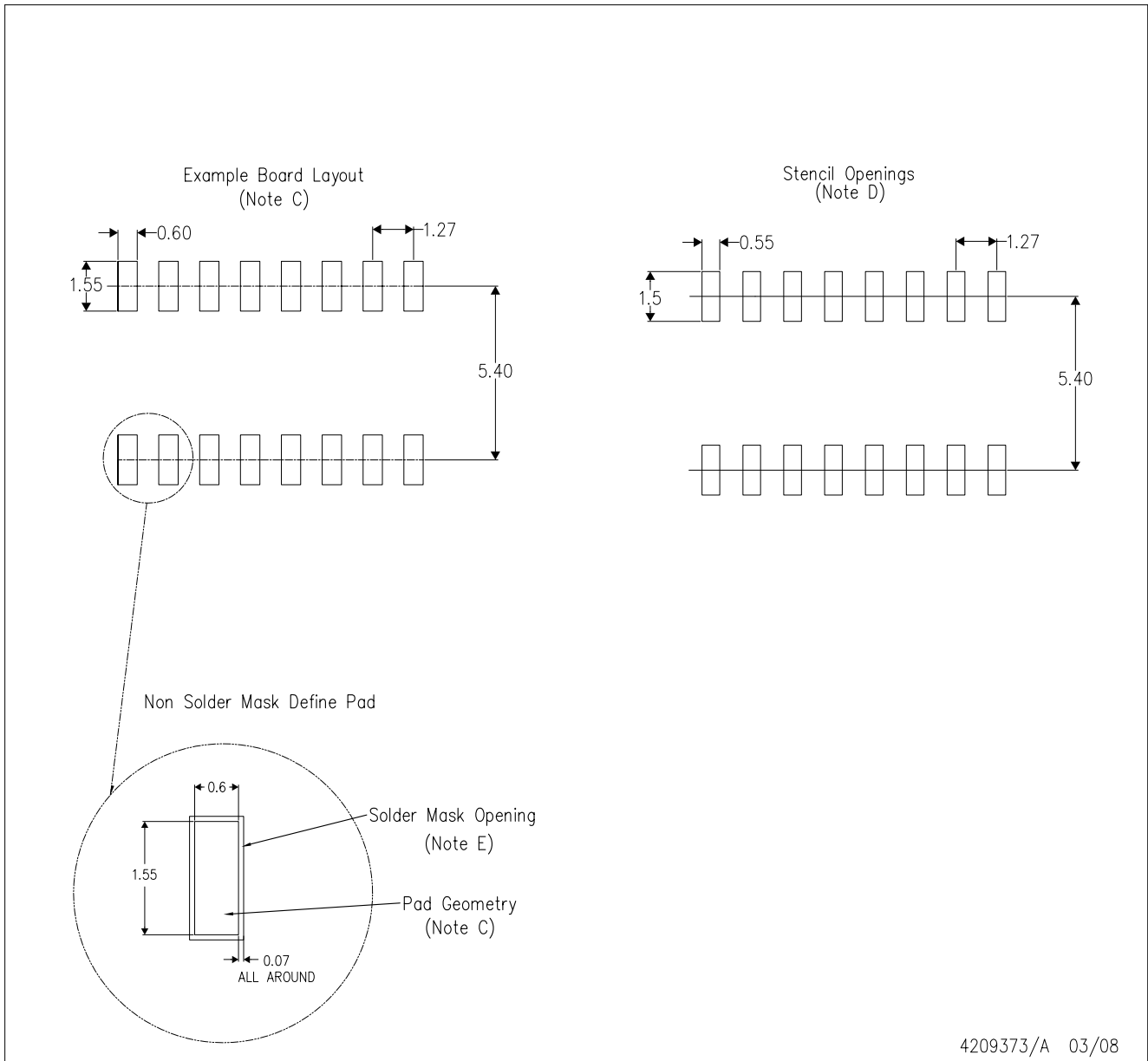


- NOTES:
- A. All linear dimensions are in inches (millimeters).
  - B. This drawing is subject to change without notice.
  - $\triangle C$  Body length does not include mold flash, protrusions, or gate burrs. Mold flash, protrusions, or gate burrs shall not exceed .006 (0,15) per end.
  - $\triangle D$  Body width does not include interlead flash. Interlead flash shall not exceed .017 (0,43) per side.
  - E. Reference JEDEC MS-012 variation AB.





D(R-PDSO-G16)



- NOTES:
- A. All linear dimensions are in millimeters.
  - B. This drawing is subject to change without notice.
  - C. Refer to IPC7351 for alternate board design.
  - D. Laser cutting apertures with trapezoidal walls and also rounding corners will offer better paste release. Customers should contact their board assembly site for stencil design recommendations. Refer to IPC-7525
  - E. Customers should contact their board fabrication site for solder mask tolerances between and around signal pads.

# MECHANICAL DATA

NS (R-PDSO-G\*\*)

PLASTIC SMALL-OUTLINE PACKAGE

14-PINS SHOWN



- NOTES:
- A. All linear dimensions are in millimeters.
  - B. This drawing is subject to change without notice.
  - C. Body dimensions do not include mold flash or protrusion, not to exceed 0,15.

## IMPORTANT NOTICE

Texas Instruments Incorporated and its subsidiaries (TI) reserve the right to make corrections, modifications, enhancements, improvements, and other changes to its products and services at any time and to discontinue any product or service without notice. Customers should obtain the latest relevant information before placing orders and should verify that such information is current and complete. All products are sold subject to TI's terms and conditions of sale supplied at the time of order acknowledgment.

TI warrants performance of its hardware products to the specifications applicable at the time of sale in accordance with TI's standard warranty. Testing and other quality control techniques are used to the extent TI deems necessary to support this warranty. Except where mandated by government requirements, testing of all parameters of each product is not necessarily performed.

TI assumes no liability for applications assistance or customer product design. Customers are responsible for their products and applications using TI components. To minimize the risks associated with customer products and applications, customers should provide adequate design and operating safeguards.

TI does not warrant or represent that any license, either express or implied, is granted under any TI patent right, copyright, mask work right, or other TI intellectual property right relating to any combination, machine, or process in which TI products or services are used. Information published by TI regarding third-party products or services does not constitute a license from TI to use such products or services or a warranty or endorsement thereof. Use of such information may require a license from a third party under the patents or other intellectual property of the third party, or a license from TI under the patents or other intellectual property of TI.

Reproduction of TI information in TI data books or data sheets is permissible only if reproduction is without alteration and is accompanied by all associated warranties, conditions, limitations, and notices. Reproduction of this information with alteration is an unfair and deceptive business practice. TI is not responsible or liable for such altered documentation. Information of third parties may be subject to additional restrictions.

Resale of TI products or services with statements different from or beyond the parameters stated by TI for that product or service voids all express and any implied warranties for the associated TI product or service and is an unfair and deceptive business practice. TI is not responsible or liable for any such statements.

TI products are not authorized for use in safety-critical applications (such as life support) where a failure of the TI product would reasonably be expected to cause severe personal injury or death, unless officers of the parties have executed an agreement specifically governing such use. Buyers represent that they have all necessary expertise in the safety and regulatory ramifications of their applications, and acknowledge and agree that they are solely responsible for all legal, regulatory and safety-related requirements concerning their products and any use of TI products in such safety-critical applications, notwithstanding any applications-related information or support that may be provided by TI. Further, Buyers must fully indemnify TI and its representatives against any damages arising out of the use of TI products in such safety-critical applications.

TI products are neither designed nor intended for use in military/aerospace applications or environments unless the TI products are specifically designated by TI as military-grade or "enhanced plastic." Only products designated by TI as military-grade meet military specifications. Buyers acknowledge and agree that any such use of TI products which TI has not designated as military-grade is solely at the Buyer's risk, and that they are solely responsible for compliance with all legal and regulatory requirements in connection with such use.

TI products are neither designed nor intended for use in automotive applications or environments unless the specific TI products are designated by TI as compliant with ISO/TS 16949 requirements. Buyers acknowledge and agree that, if they use any non-designated products in automotive applications, TI will not be responsible for any failure to meet such requirements.

Following are URLs where you can obtain information on other Texas Instruments products and application solutions:

<b>Products</b>		<b>Applications</b>	
Amplifiers	<a href="http://amplifier.ti.com">amplifier.ti.com</a>	Audio	<a href="http://www.ti.com/audio">www.ti.com/audio</a>
Data Converters	<a href="http://dataconverter.ti.com">dataconverter.ti.com</a>	Automotive	<a href="http://www.ti.com/automotive">www.ti.com/automotive</a>
DLP® Products	<a href="http://www.dlp.com">www.dlp.com</a>	Communications and Telecom	<a href="http://www.ti.com/communications">www.ti.com/communications</a>
DSP	<a href="http://dsp.ti.com">dsp.ti.com</a>	Computers and Peripherals	<a href="http://www.ti.com/computers">www.ti.com/computers</a>
Clocks and Timers	<a href="http://www.ti.com/clocks">www.ti.com/clocks</a>	Consumer Electronics	<a href="http://www.ti.com/consumer-apps">www.ti.com/consumer-apps</a>
Interface	<a href="http://interface.ti.com">interface.ti.com</a>	Energy	<a href="http://www.ti.com/energy">www.ti.com/energy</a>
Logic	<a href="http://logic.ti.com">logic.ti.com</a>	Industrial	<a href="http://www.ti.com/industrial">www.ti.com/industrial</a>
Power Mgmt	<a href="http://power.ti.com">power.ti.com</a>	Medical	<a href="http://www.ti.com/medical">www.ti.com/medical</a>
Microcontrollers	<a href="http://microcontroller.ti.com">microcontroller.ti.com</a>	Security	<a href="http://www.ti.com/security">www.ti.com/security</a>
RFID	<a href="http://www.ti-rfid.com">www.ti-rfid.com</a>	Space, Avionics & Defense	<a href="http://www.ti.com/space-avionics-defense">www.ti.com/space-avionics-defense</a>
RF/IF and ZigBee® Solutions	<a href="http://www.ti.com/lprf">www.ti.com/lprf</a>	Video and Imaging	<a href="http://www.ti.com/video">www.ti.com/video</a>
		Wireless	<a href="http://www.ti.com/wireless-apps">www.ti.com/wireless-apps</a>

Mailing Address: Texas Instruments, Post Office Box 655303, Dallas, Texas 75265  
Copyright © 2010, Texas Instruments Incorporated